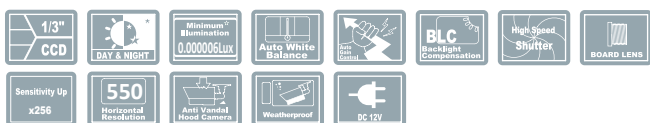


3D-DNR Hood Weather-proof IR Camera

4mm Fixed Board Lens / IR LED Built-in 21 pcs



- HD-N678DNR_ALDB
- 550TV Lines
- 4mm Fixed Board Lens
- IR Day/Night Capability
- 850nm IR LEDs * 21pcs



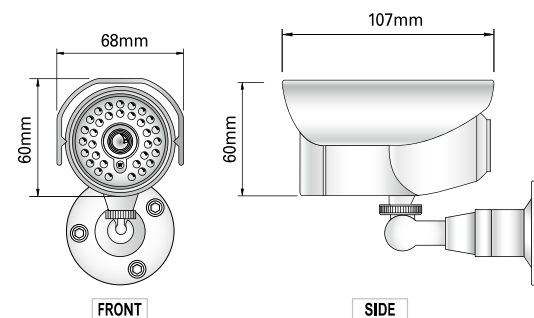
SPECIFICATIONS

MODEL	HD-N678DNR_ALDB
Image Pick-Up Device	1/3" SONY SUPER HAD II CCD
TV System	NTSC,PAL
Effective Pixels	NTSC=768(H) * 494(V) / PAL=752(H) * 582(V)
Scanning System	2:1 Interlace
Sync System	Internal
Resolution	550TV Lines
Minimum Illumination	0.000006 Lux
S/N Ratio	More than 52dB
White Balance	ATW
Sense-Up	On
D&N Selection	AUTO
Gain Control	Middle
Electronic Shutter Time	AUTO (1/50sec, 1/60sec ~ 1/120,000sec)
Power Supply	DC 12V
Power Consumption	DC 12V 150mA (MAX) ±10% (CDS OFF) / 350mA (MAX) ±10% (CDS ON)
Lens	4mm Fixed Board Lens
Operational Temp.	-10 ~ +50 Deg C. RH 95% Max.
Storage Temp.	-20 ~ +60 Deg C. RH 95% Max.
Dimension	60mm(W) * 60mm(H) * 107mm(D)
Weight	500g

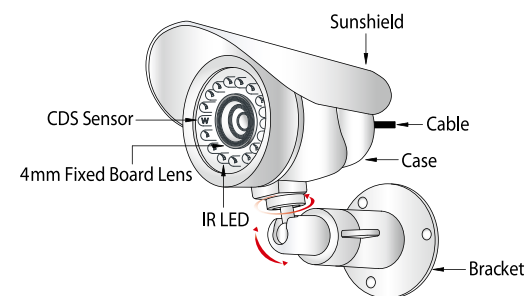
CONNECTION

- * 1/3" Sony Super HAD CCD
- * Day / Night Capability
- * Extremely Low Power Consumption
- * Ultra High Resolution of 550TV Lines
- * 4mm Fixed Board Lens(3.6/6/8/12mm:Option)

DIMENSIONS



CONNECTION



Camera Adjustment

- ① Connect Video & Power Line (12V DC Regulated Power).
- ② Please set the position where you want to connect the camera.
- ③ Loosen the locking screws and adjust camera angle.
- ④ Combine each camera part and lock & tight the each locking screw.